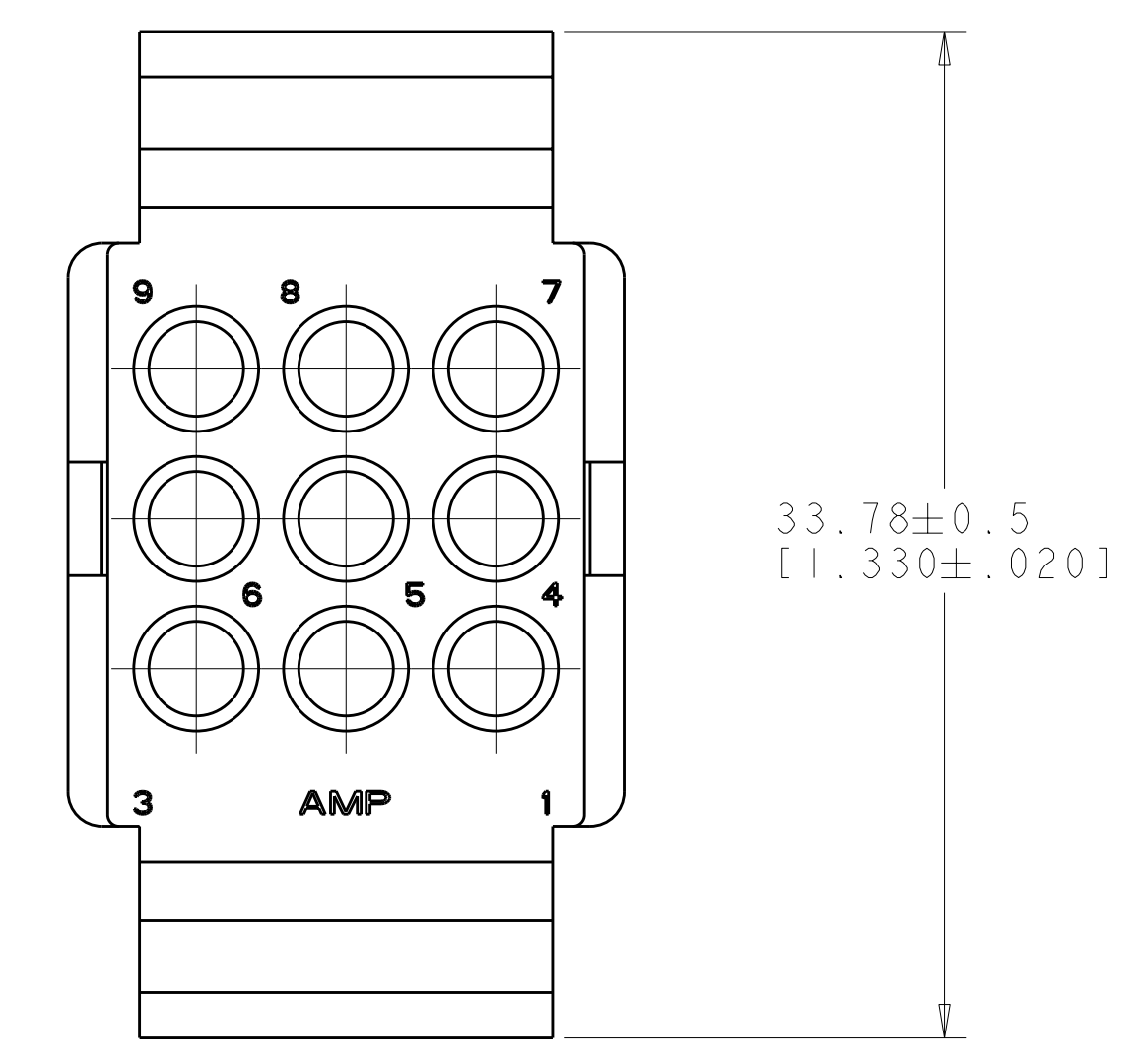
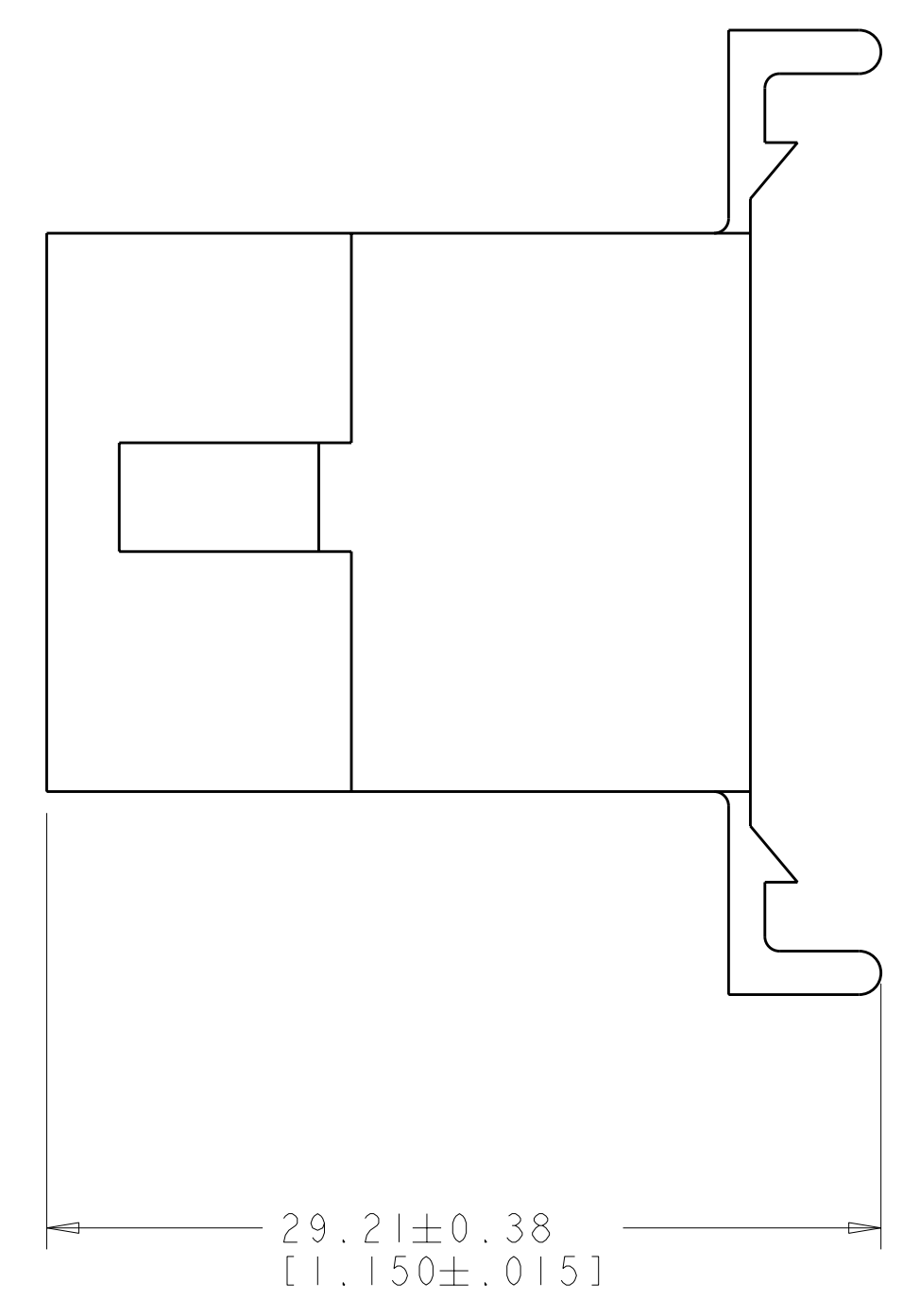
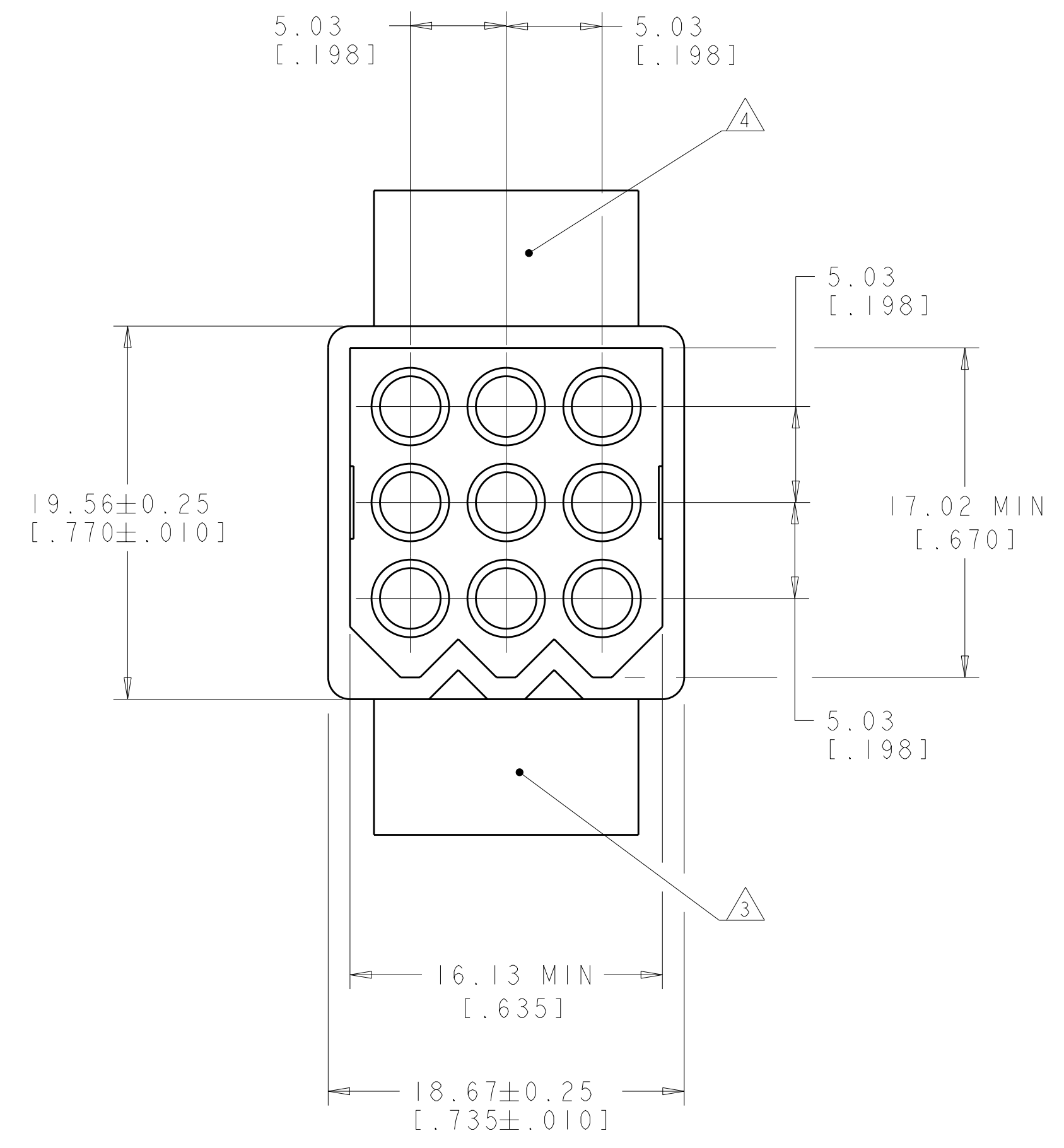
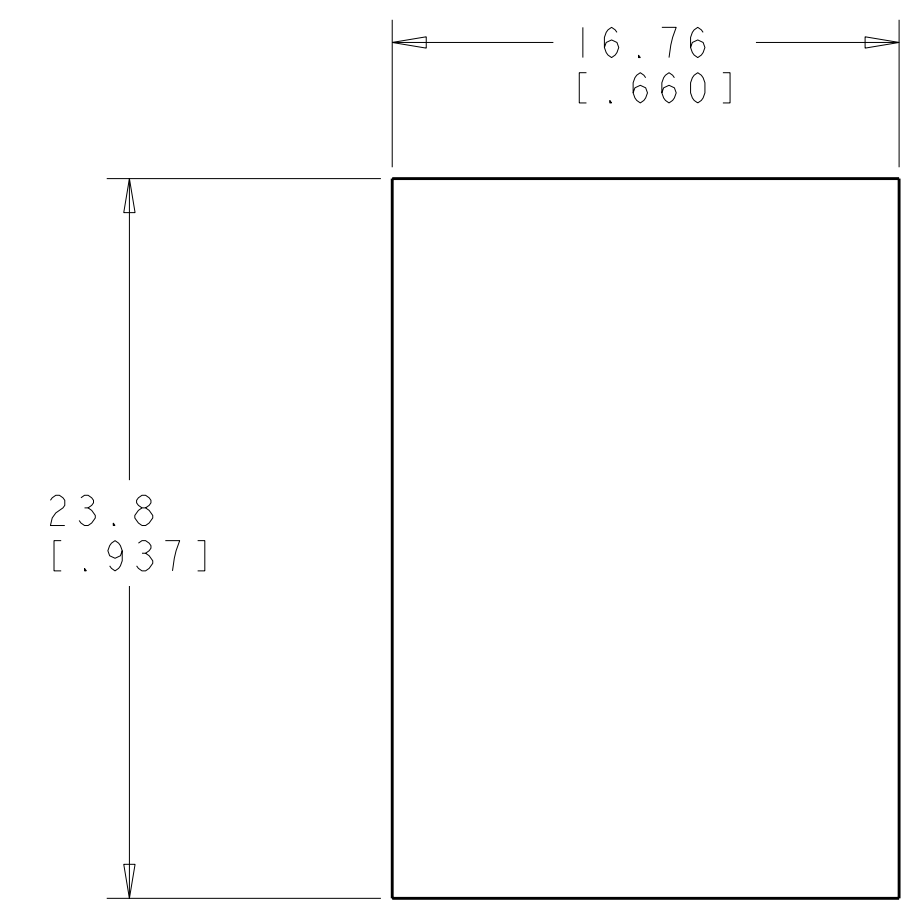
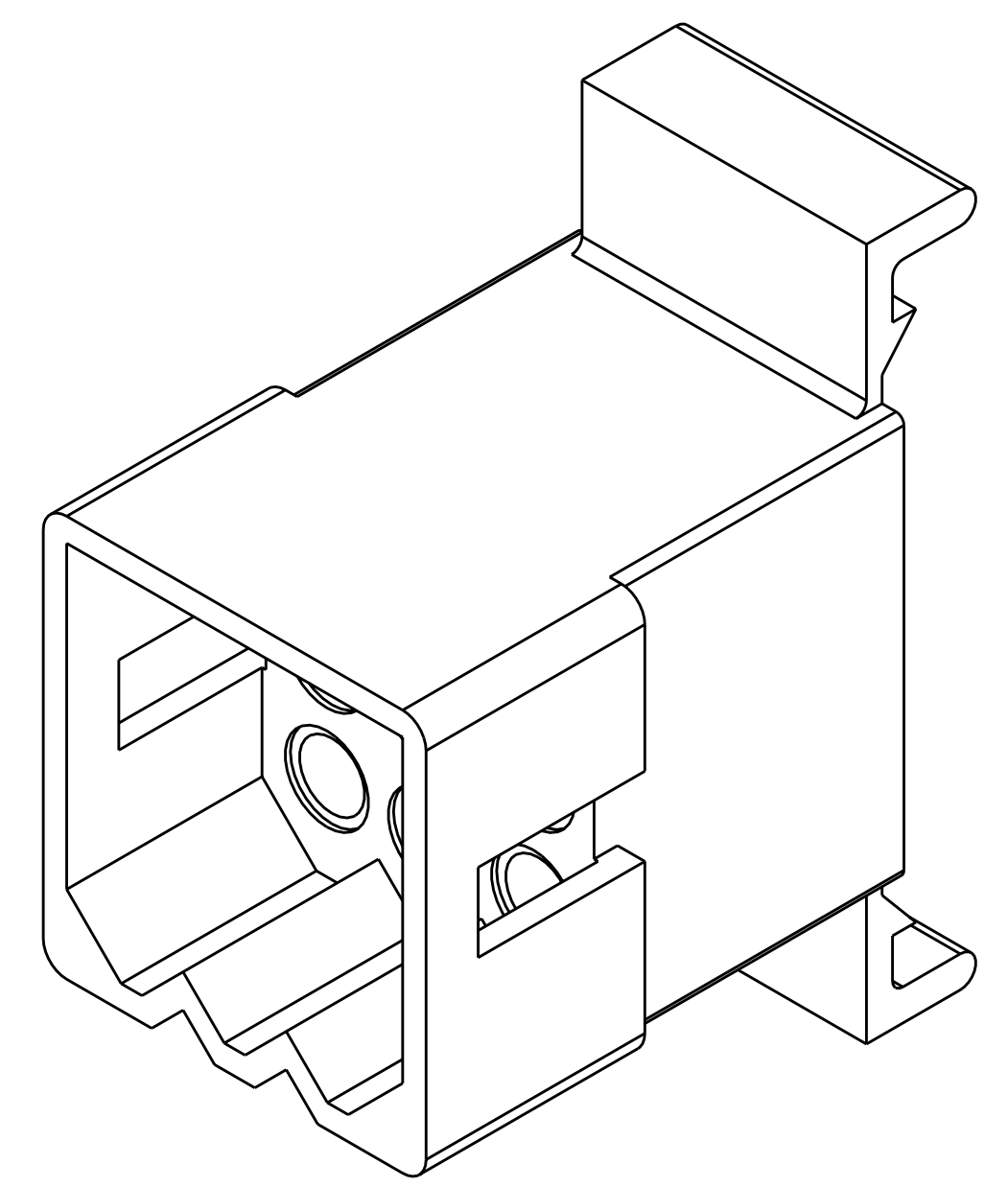


LOC	DIST	REV	DATE	DWN	APVD
CM	00	G	ECO-07-020239	28AUG2007	KW CC



- 1 MATERIAL: NYLON UL94V-2 (NATURAL).
- 2. RECOMMENDED PANEL THICKNESS 2.29 [.090].
- 3 UL LOGO LOCATED ON THIS SURFACE.
- 4 CSA LOGO LOCATED ON THIS SURFACE.



RECOMMENDED PANEL CUTOUT



0.261 IN ³	770095-1
VOLUME	PART NUMBER

<small>THIS DRAWING IS UNPUBLISHED. RELEASED FOR PUBLICATION BY TYCO ELECTRONICS CORPORATION. ALL RIGHTS RESERVED.</small>		DWN: R. WHITAKER 28AUG2007 CHK: C. CASH 28AUG2007 APVD: C. CASH 28AUG2007	Tyco Electronics Harrisburg, PA 17105-3608
DIMENSIONS: mm [INCHES]	TOLERANCES UNLESS OTHERWISE SPECIFIED: 9 PLC ± 8 PLC ± 5 PLC ±0.13(.005) 4 PLC ± ANGLES ±	NAME: PLUG, 9 CIRCUIT, .093 COMMERCIAL PIN AND SOCKET PRODUCT SPEC: APPLICATION SPEC: SIZE: A 00779 C=770095 WEIGHT: - FINISH: -	RESTRICTED TO: - SCALE: 4:1 SHEET: 1 OF 1 REV: G
MATERIAL: NYLON UL94V-2 (NATURAL)		CUSTOMER DRAWING	